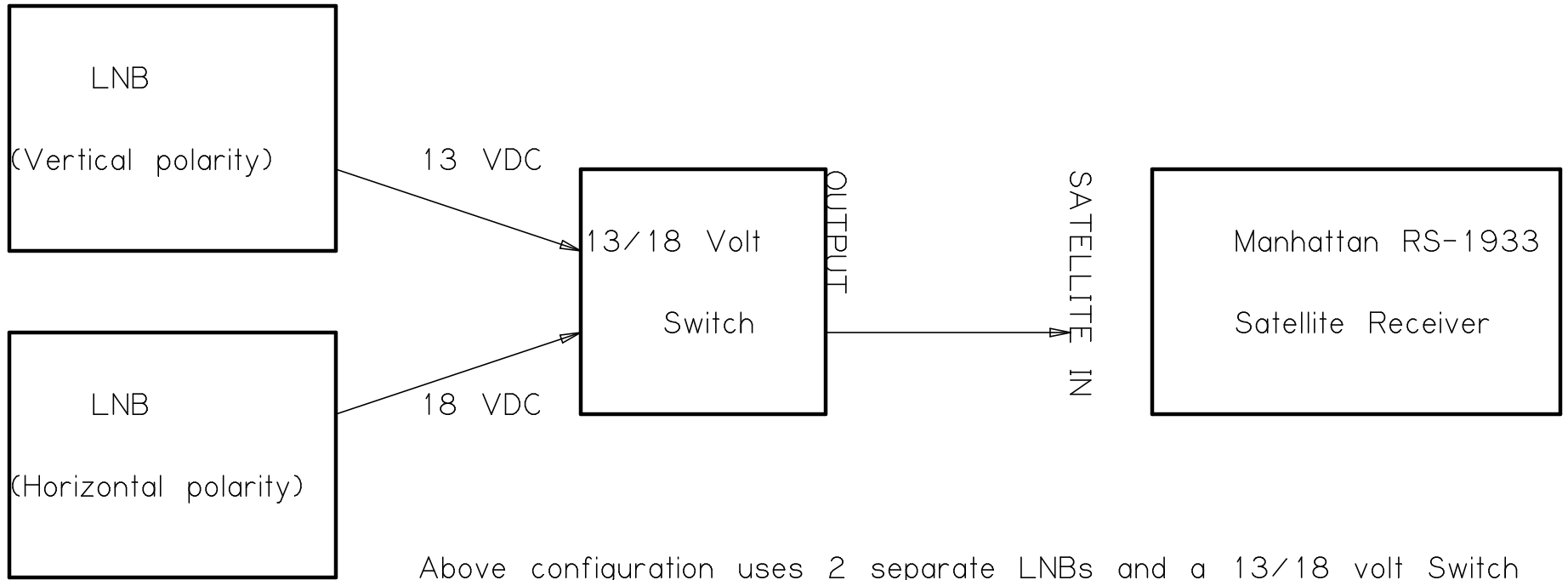


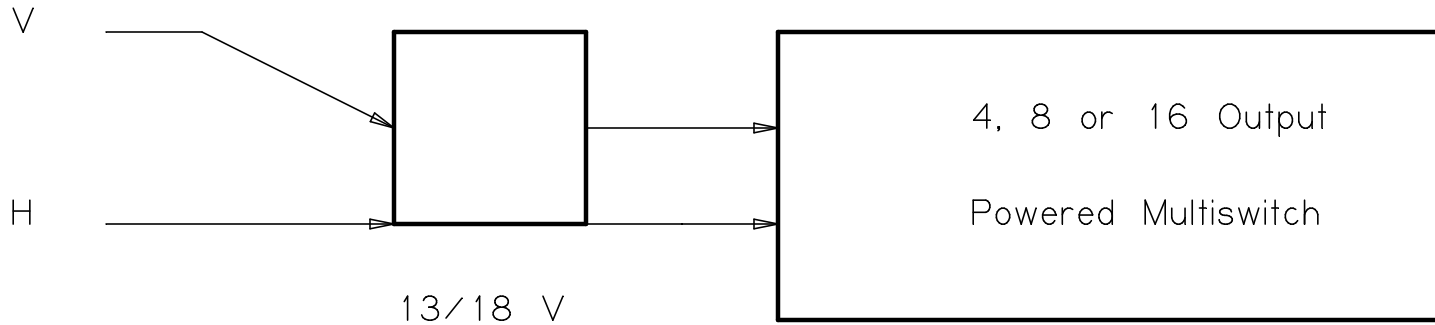
DUAL POLARITY C-BAND OPERATION

Dual Port C-Band Feedhorn



Above configuration uses 2 separate LNBS and a 13/18 volt Switch

Alternate method uses Powered Multiswitch with Power Inserter for multiple receiver operation.



PWR INSERTER

Separate output for each MPEG receiver