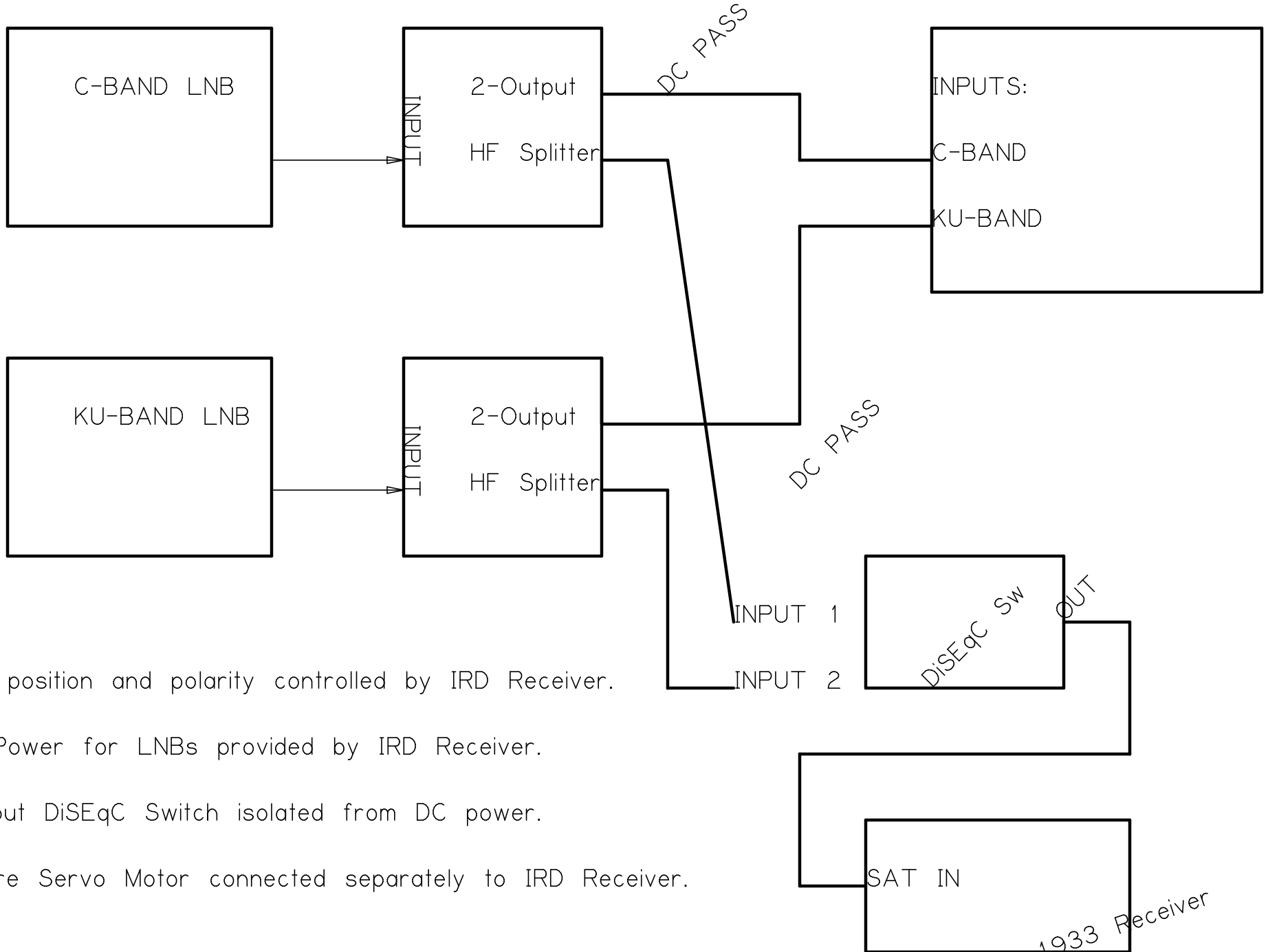


# C/Ku LNBS with C/Ku Feedhorn

4DTV or IRD RECEIVER

CHAPARRAL CoRotor II C/Ku Feedhorn



Dish position and polarity controlled by IRD Receiver.

DC Power for LNBS provided by IRD Receiver.

2-input DiSEqC Switch isolated from DC power.

3-wire Servo Motor connected separately to IRD Receiver.

Manhattan RS-1933 Receiver