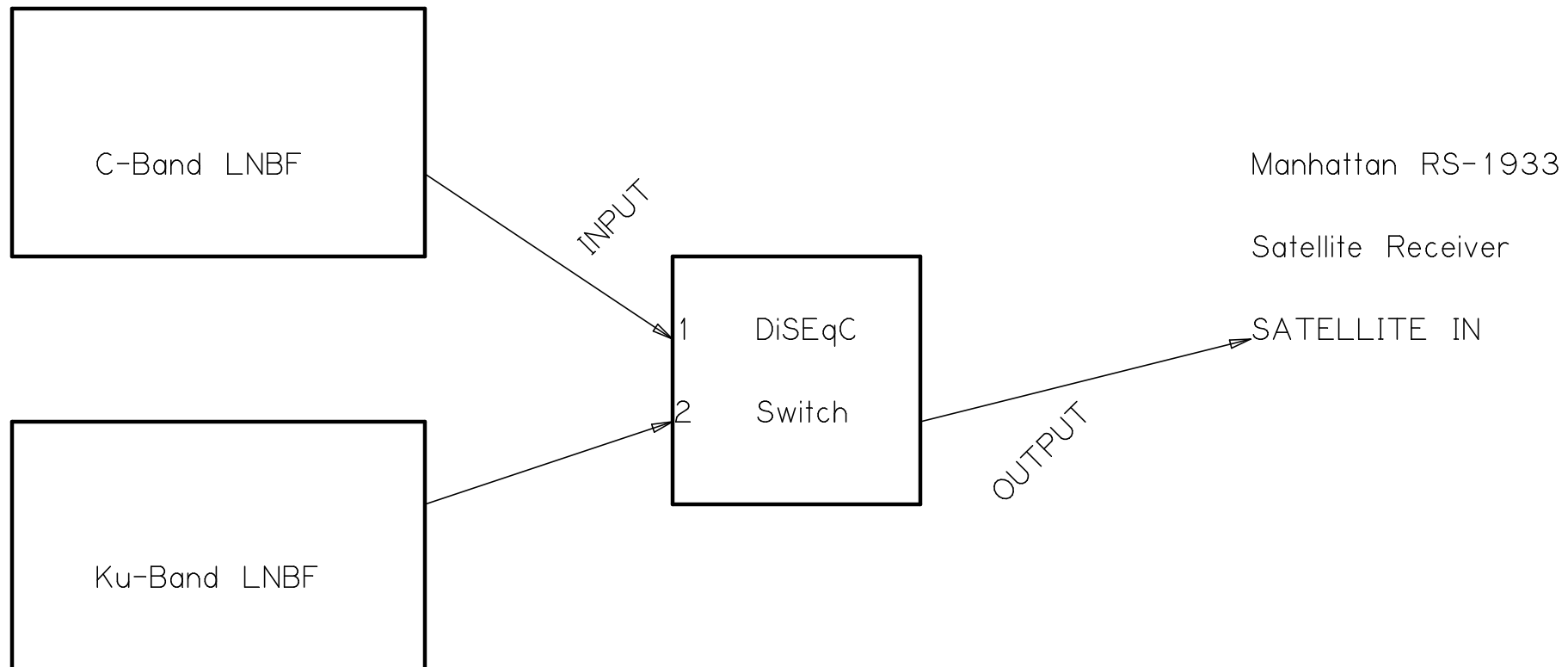


# OPERATION WITH C and KU BAND LNBF



Motorized C/Ku antenna positioning done with separate Control Box.

Polarity switching accomplished with LNBFs and Receiver H/V LNBF logic.